

IF IN DOUBT ASK
DO NOT SCALE

A

B

C

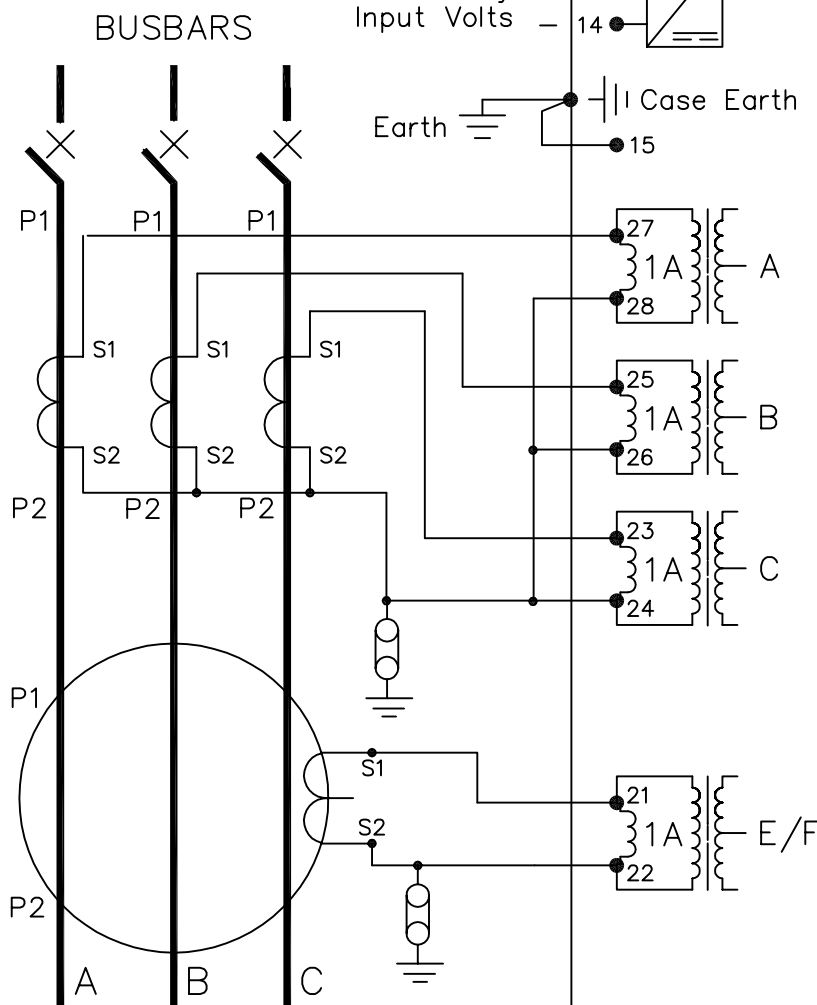
D

E

ARGUS 4XX-F

D.C. Auxilliary
Input Volts

Earth Case Earth

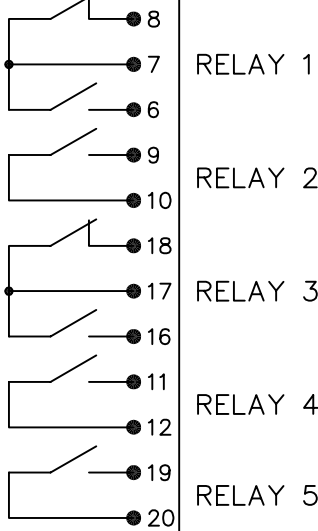


STATUS I/P 1

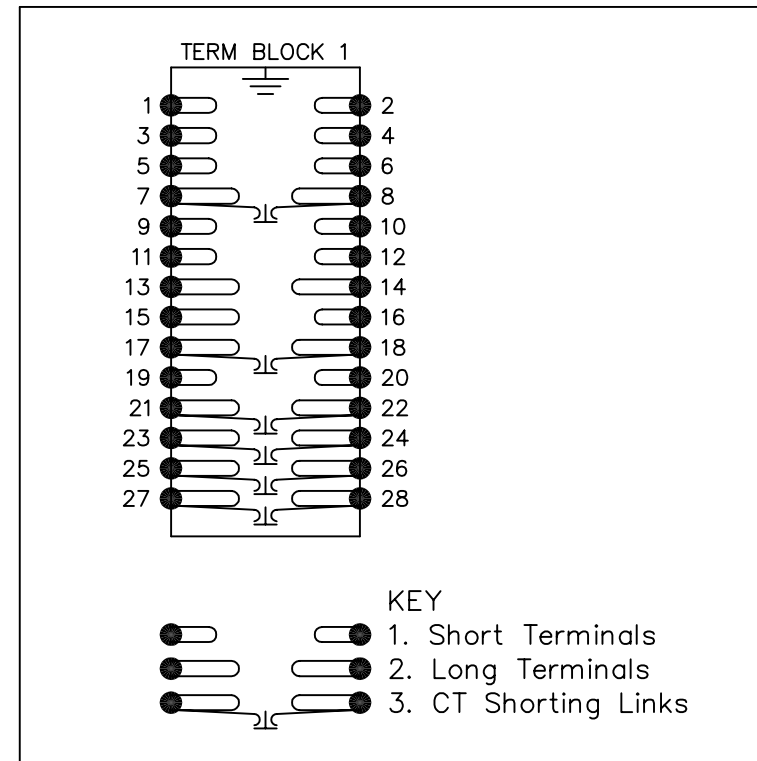
STATUS I/P 2

STATUS I/P 3

TX RX Fibre-Optic Connectors



TERMINAL BLOCKS VIEWED FROM REAR



NOTES

1. CT & EARTH CONNECTIONS ARE TYPICAL ONLY.
2. STATUS INPUT 2 AND 3 ARE INTERNALLY COMMONED TO TERMINAL 4 (-ve).
3. FOR TERMINAL DIAGRAM SEE 2434W50013 (A2).

**NOT SUBJECT TO UPDATE
ONCE COPIED / PRINTED
OR DOWNLOADED**

MATERIAL:

Dimensions in millimetres : Surface texture in micrometres.
Machine where marked ✓
For explanation of dimensions, tolerances, notes etc. see B.S.308.
Limit on untoleranced unmachined dimensions ± _____
Limits on untoleranced machined dimensions to B.S.4500;
i.e. up to 6±0.1; over 30 to 120±0.3; over 315±0.8;
over 6 to 30±0.2; over 120 to 315±0.5;
General unmachined angular tolerance ± _____

Finish:

Treatment:

Title:

TYPICAL SCHEME DIAGRAM FOR ARGUS AG1-4XX-F 1A RELAYS
3Ph/F + SEPARATED E/F, 3xSI, 3NO+2CO, STFO COMMS.

SIEMENS PROTECTION DEVICES LTD.

Original Scale.

1:1

First used on:

Similar Articles:

Supersedes:

Drq. No.

2434W10147

Copyright © 2006 Siemens Protection Devices Ltd. Hebburn

1	18/09/06	CHANGE NOTED	△
ISSUE	DATE		